



# TEMPERATURE

## EXTREME LOW TEMPERATURE SENSOR & TRANSMITTER S603, TT111 SERIES

### DESCRIPTION

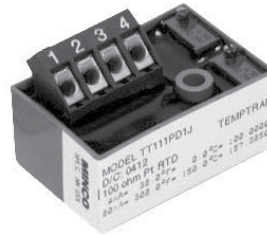
The **Minco Model S603 Extreme Low Temperature RTD Sensor** can be mounted in a freezer to monitor the temperature, and other applications where the temperature maybe outside the operating range of standard sensors. Sensors come with 36" (91.4 cm) of stainless steel armored leads to protect against low temperatures but also metal carts and other objects that may fall and cut standard wires. When used with the **Model TT111 Transmitter**, a 4-20 mA output is provided that is linear from -148° to 32°F (-100° to 0°C) or -58° to 122°F (-50° to 50°C).

### FEATURES

- All stainless steel probe
- 36" stainless steel armored leads
- Small transmitter size
- Extreme low temperature span either -148° to 32°F (-100° to 0°C) or -58° to 122°F (-50° to 50°C)
- Used in Freezers

NEW!

MINCO



TT111PF1EZ



S603

### SPECIFICATIONS

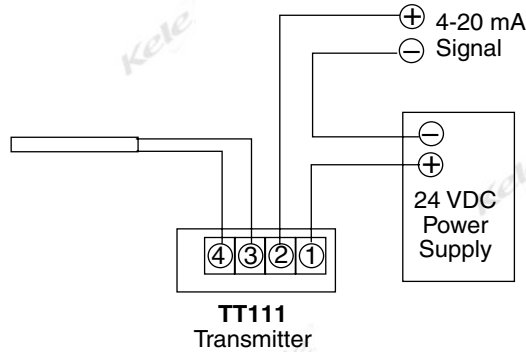
#### S603 Sensor

Accuracy	±1°F (0.6°C)
100Ω	±0.6°F (0.4°C)
1000Ω	±0.6°F (0.4°C)
Sensor Type	
PD	100Ω Platinum 385 curve
PF	1,000Ω Platinum 385 curve
Measurement Range	-452° to 500°F (-269° to 260°C)
Probe Material	316 Stainless steel
Wiring Terminations	Two wire stranded copper 36" (91.4 cm) long 22 AWG stainless steel armored
Weight	0.5 lb (0.22 Kg)
Warranty	1 year

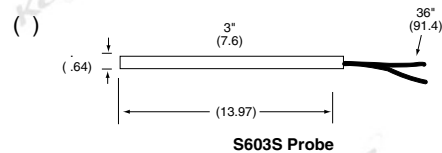
#### TT111 Fixed Transmitter

Supply Voltage	8.5-35 VDC
Signal Output	4-20 mA @ 775Ω
Accuracy	calibration accuracy ±0.05% of span
Measurement Range	
EZ	-148° to 32°F (-100° to 0°C)
M	-58° to 122°F (-50° to 50°C)
Operating Temperature	32° to 122°F (0° to 50°C)
Weight	0.07 lb (0.03 Kg)
Warranty	1 year

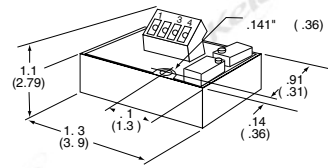
### MOUNTING



### DIMENSIONS



S603S Probe



TT111 Transmitter

### ORDERING INFORMATION

#### MODEL

TT111PF1EZ  
TT111PF1M  
TT111PD1EZ  
S603PD30Y36A  
S603PF30Y36A

#### DESCRIPTION

1kΩ RTD Transmitter -148° to 32°F (-100° to 0°C)  
1KΩ RTD 385 curve Transmitter -58° to 122°F (-50° to 50°C)  
100Ω RTD Transmitter -148° to 32°F (-100° to 0°C)  
0.25" Diameter 3" probe 2 wire Stainless steel armored leads 100Ω RTD  
0.25" Diameter 3" probe 2 wire stainless steel armored 1kΩ RTD 385 curve

DCPA-1.2  
DCP-1.5-W

#### RELATED PRODUCTS

Power supply, 120 VAC In to 24 VAC/24 VDC Out  
Power supply, 24 VAC IN to 24 VDC OUT

TEMPERATURE

19